

TO OPEN AND TO FASTEN THE SAFETY BELT

Both seats of the MARCO Sky L are fitted with a 5-point harness system.

TO FASTEN: see Fig. 7.1

TO OPEN: see Fig. 7.2

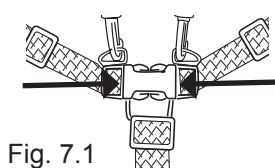


Fig. 7.1



Fig. 7.2

TO ADJUST THE BACKREST

The rear backrest can be adjusted to three positions: Upright, middle and flat.

To adjust, lift up the backrest locking mechanisms M on both sides at the same time. Put the backrest in the desired position, and let the locking mechanism engage. (fig. 8)

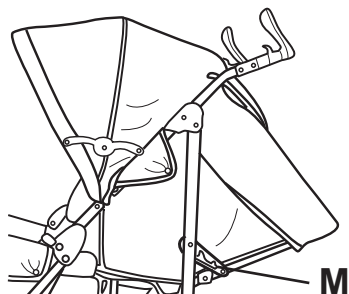


Fig. 8

! MAINTENANCE !

The textiles are removable and handwashable at 30° C.
The frame should be wiped with a damp cloth and mild soap. Don't use strong detergents, they could damage plastic.
Regularly lubricate the moving parts with silicon oil or silicon spray.

! NOTE !

This vehicle is intended for 2 children up to a maximum weight of 15kg.
The net basket should not be loaded with more than 3 kg.
Spare parts or accessories which are not approved by the manufacturer or dealer may not be used.
All parts of the vehicle should be inspected regularly to ensure that they function properly.
Please do not make any changes to the stroller that could affect the safety.

! WARNINGS !

- WARNING:** The front seat is not suitable for children under 6 months.
- WARNING:** It may be dangerous to leave your child unattended.
- WARNING:** Ensure that all the locking devices are engaged before use.
- WARNING:** Any load attached to the handle affects the stability of the pram/pushchair.

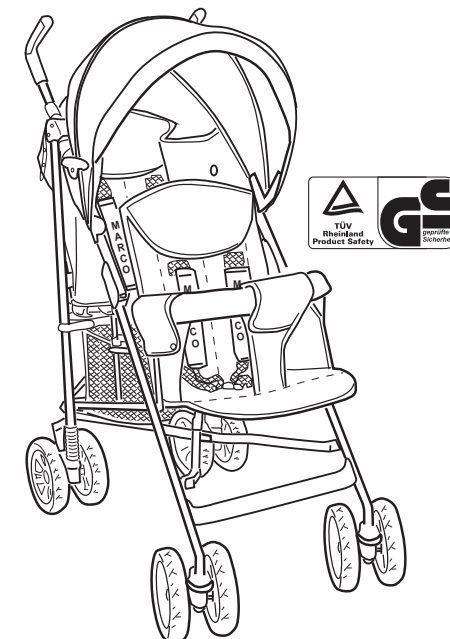
! WARNINGS !

WARNING: A CHILD'S SAFETY IS YOUR RESPONSIBILITY.
Children should be harnessed in at all times and should never be left unattended.
The children should be clear of moving parts while making adjustments.
This vehicle requires regular maintenance by the user.
Overloading, incorrect folding and the use of non-approved accessories may damage or break this vehicle.
Read the instructions.

English

USER'S INSTRUCTIONS

We congratulate you on your purchase of this stroller „for 2“
This pushchair offers optimal performance and value and is very easy to use.



IMPORTANT: Read these instructions carefully before use and keep them for future reference.
Your child's safety may be affected if you do not follow these instructions

MARKETING UND VERTRIEB
MARCO HANDELSGESELLSCHAFT M.B.H.
A-5440 GOLLING, AUSTRIA
www.marco4bb.com

© MARCO HANDELSGESELLSCHAFT M.B.H., 2005
A-5440-Golling, Austria

TO OPEN

Open strap A and pull up the stroller by the handgrips (Fig. 1.1 - 1.2). Push down lever B1 at the rear of the stroller with one foot, until you hear the cross-strut engage. (Fig.1.1, 1.2)

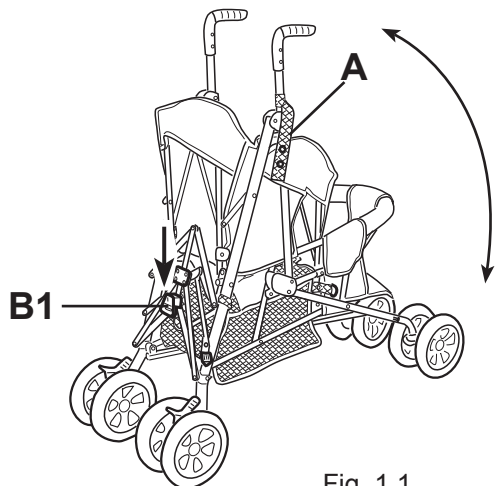


Fig. 1.1

TO CLOSE

- 1.) Release the brakes. (Fig. 3)
- 2.) Press the bottom lock B1 upwards with your foot. (Fig. 1.2).
ATTENTION: Push upwards only the lever B1, NOT the connecting bars of the brakes.
- 3.) Release the secondary lock by pushing lever B2 down with your foot.(Fig. 1.2).
Fold the buggy forwards and fasten together with the strap A. (Fig. 1.1, Fig.1.2)

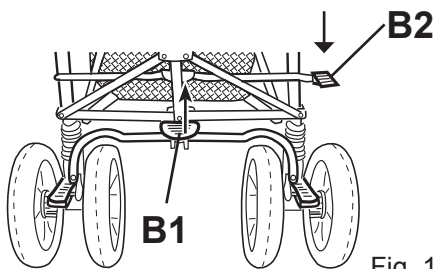


Fig. 1.2

TO FIT THE FRONT WHEELS

Push the double wheel block C onto the upper front wheel housing D until it engages. (Fig.2)

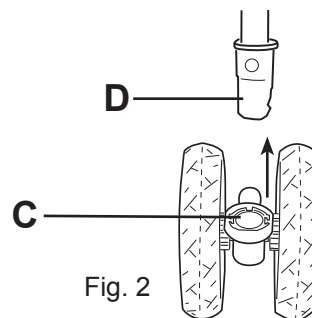


Fig. 2

TO FIX AND TO RELEASE THE BRAKES

TO FIX: Press the brake levers E downwards with your foot. Make sure the brake has engaged. (Fig. 3)

TO RELEASE: Push the brake levers E upwards (Fig. 3).

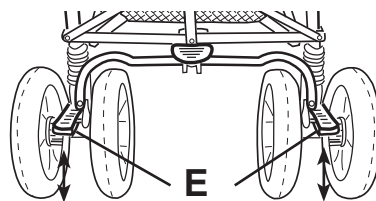


Fig. 3

! SAFETY !
Before putting your child in the stroller engage the brakes to make sure it doesn't roll away

! SAFETY !
Never leave the MARCO Sky L without engaging the brakes.

FITTING THE CANOPY

Push the canopy fitting hooks F onto the handlebar tubes as shown in Fig.4, and close. Fasten straps G round the frame tube (Fig.4) and close the press-studs. Press the canopy hinge H down on both sides.

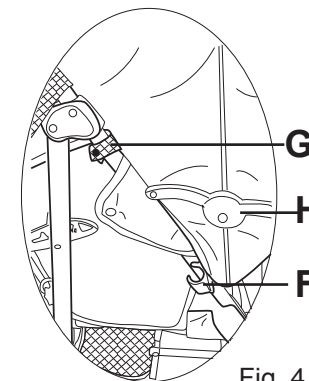


Fig. 4

TO ADJUST THE HANDGRIPS

To adjust the handgrips J, pull the lever K upwards and turn the handgrips J into the desired position (fig. 5).

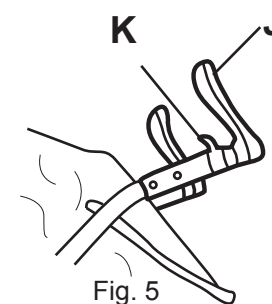


Fig. 5

TO FIX AND TO SWIVEL THE FRONT WHEELS

TO FIX: Turn the front double wheels so that the fixing lever L faces the front. To fix the wheels, press the fixing lever L downwards until it engages. (Fig. 6)

TO SWIVEL: push the fixing lever L upwards. (Fig.6)

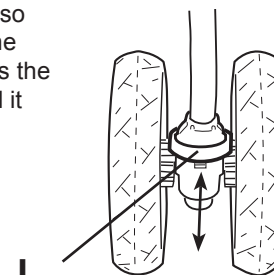


Fig. 6